

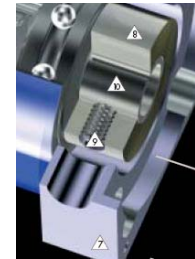
Motor mounting

Competitors

Some competitors do not offer an integrated motor shaft clamping device the sun gear must be attached to the motor shaft externally and subsequently tediously fitted into the gearbox (CGI)

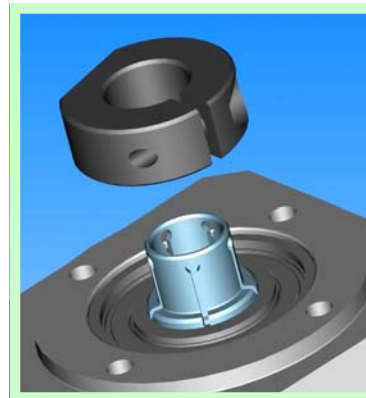


Others, such as alpha LP offer a cumbersome radial setscrew clamping arrangement



NEUGART

Patented
Precision
Clamping
System PCS



Up to 5 slots (not cut all the way through) Remaining rim facilitates a uniform radial deformation and hence a clamping without radial run-out

BENEFITS:

Run Out free Mounting; lower noise; higher transmittable torques; easy user friendly and safe mounting

