

Neugart Integrated Expansion Chamber "NIEC" - option for PLS, WPLS

Competitors

No offering of a comparable device - Significant torque rating reduction at high speeds

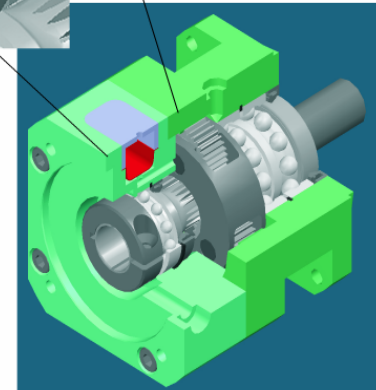
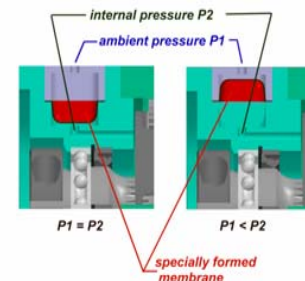
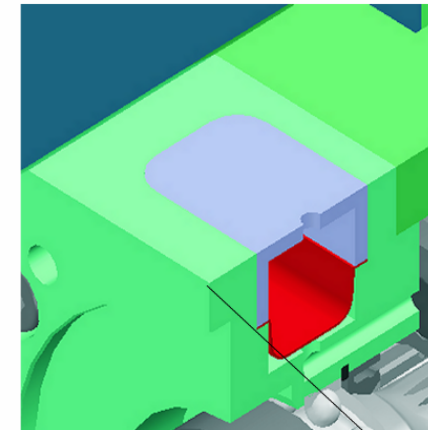


NEUGART Patented NIEC

Neugart advantage

Virtually eliminates the pressure rise !

- Reduced seal wear
- Reduced temperature rise
- Reduced Friction
- Practically eliminates Leakage
- Facilitates high input speeds
- Maintenance- free operation



Neugart shaft-Integrated Expansion Chamber Standard on PLS-HP, PLF-HP



Competitors

No comparable device offered
Significant torque rating
reduction at high speeds

Neugart advantage

Virtually eliminates the pressure
rise !

- Reduced seal wear
- Reduced temperature rise
- Reduced Friction
- Practically eliminates Leakage
- Facilitates high input speeds (> 10 000 rpm)
- Maintenance- free operation

