

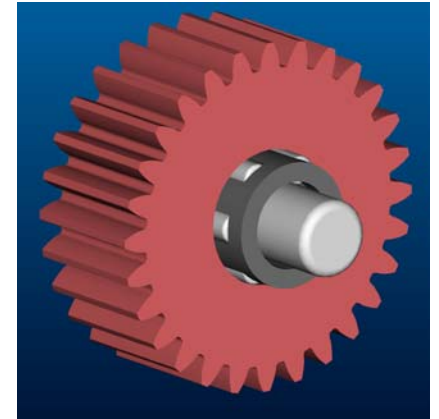
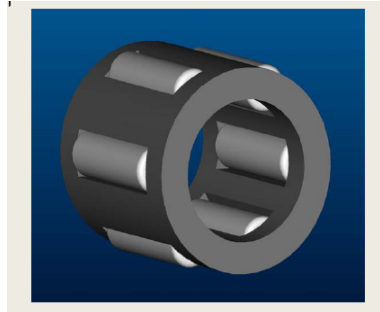


## **NEUGART difference - features not found in other gearheads**

Neugart is using Full-Needle-Bearings to support the planet gear-  
- !! in all products -- S-series E-series HP-series !!

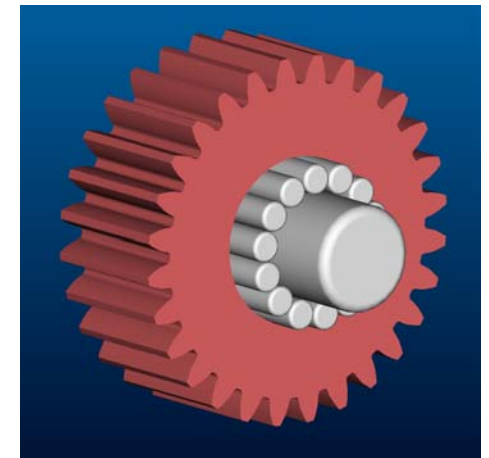
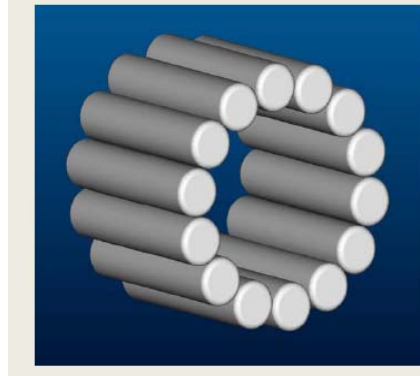
### Competitors

Most use standard needle bearings in some cases even low cost ball bearings



### NEUGART

Planets are supported in fully packed high density needle bearings

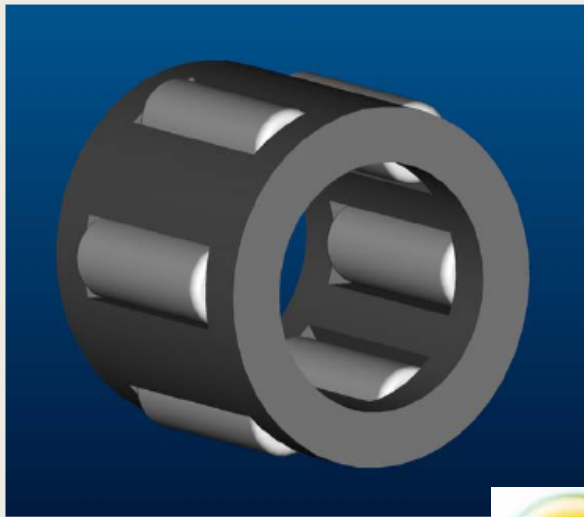


### Neugart advantage

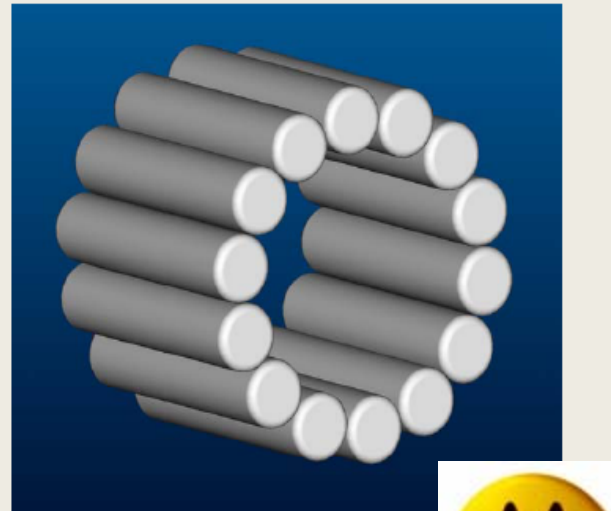
Higher load carrying capability  
Increased gearbox life (PLE up to 30 000 hrs  
L10 life )

**Neugart is using Full Needle Bearings in all products  
S-series, E- series, HP –series**

**Example PLE 60 size standard needle bearing / full needle bearing**



• 6 needles



• 14 needles

