

MAKING THE DECISIVE MOVE.



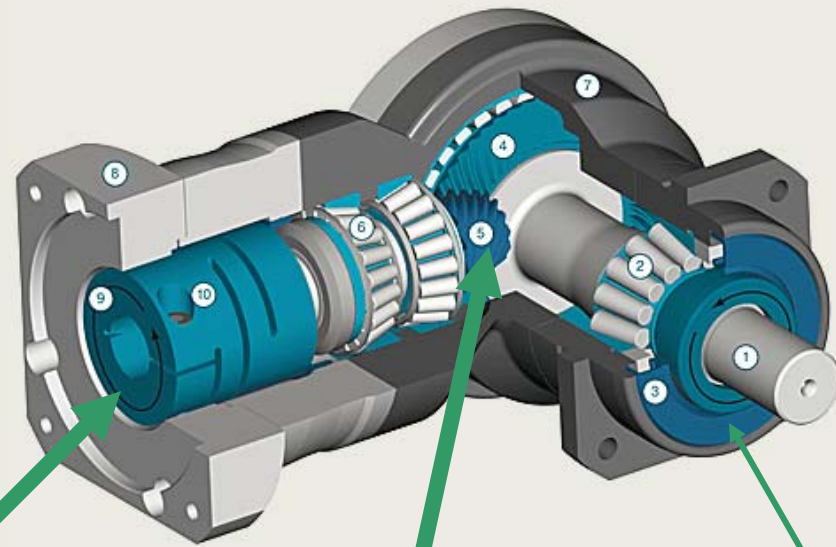
# WPLN the new *NEUGART* high precision right angle servo- gearhead

Replacing Neugart WPLS



MAKING THE DECISIVE MOVE.

## WPLN main design features



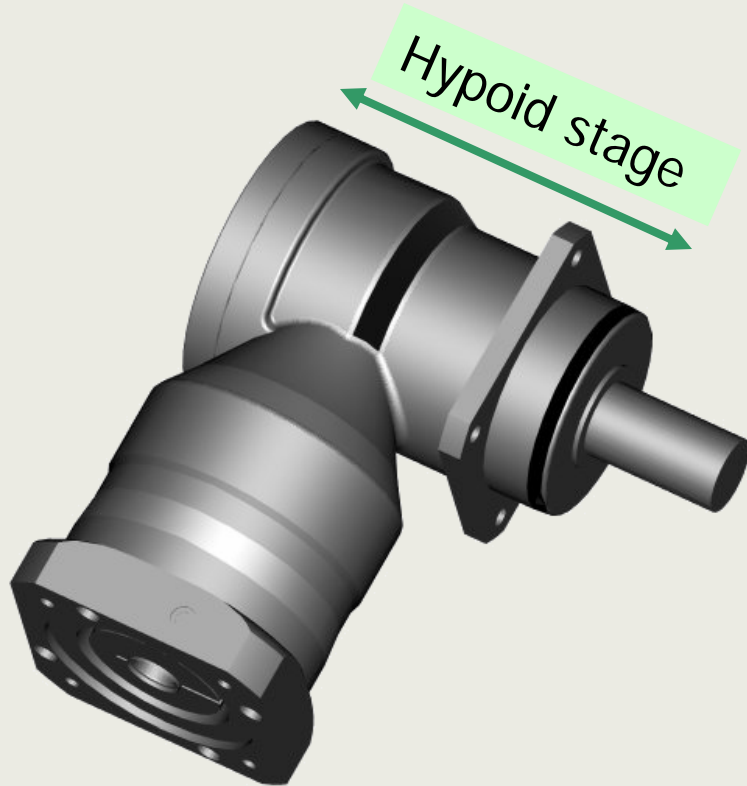
Backlash free  
torsionally stiff motor  
shaft clamping

High strength, high  
precision hypoid  
gears, case hardened  
and lapped

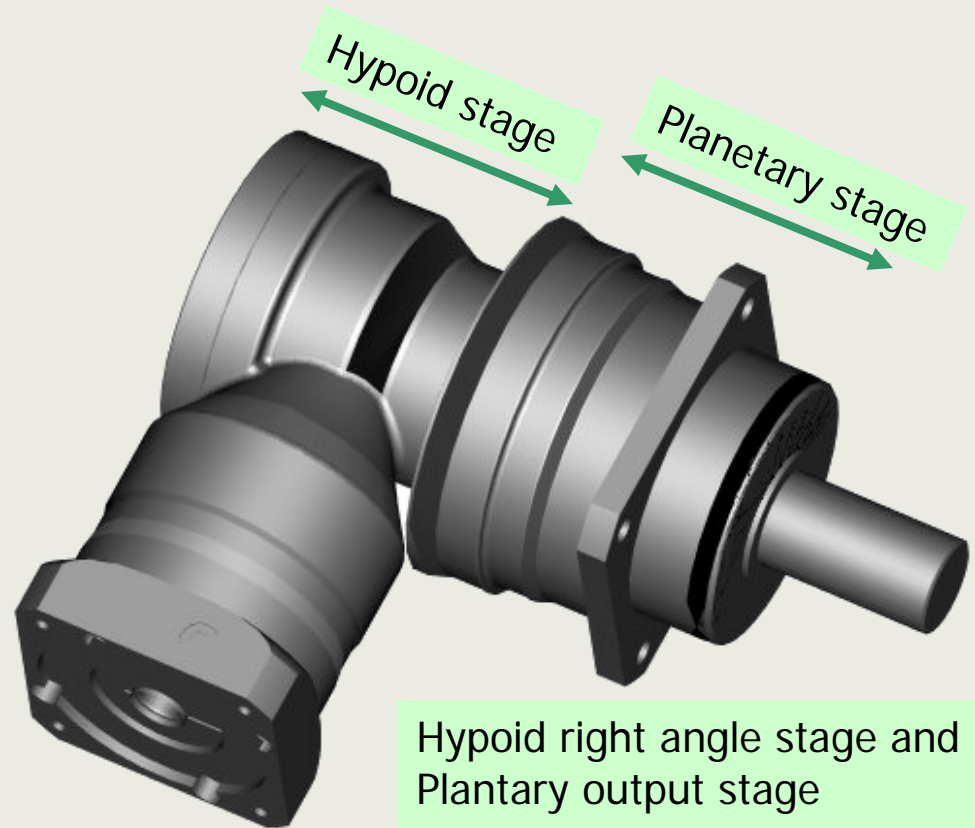
Double lip shaft seals

MAKING THE DECISIVE MOVE.

## WPLN main design features



Stand alone Right Angle Hypoid stage at ratios: 4, 5, 8, 10

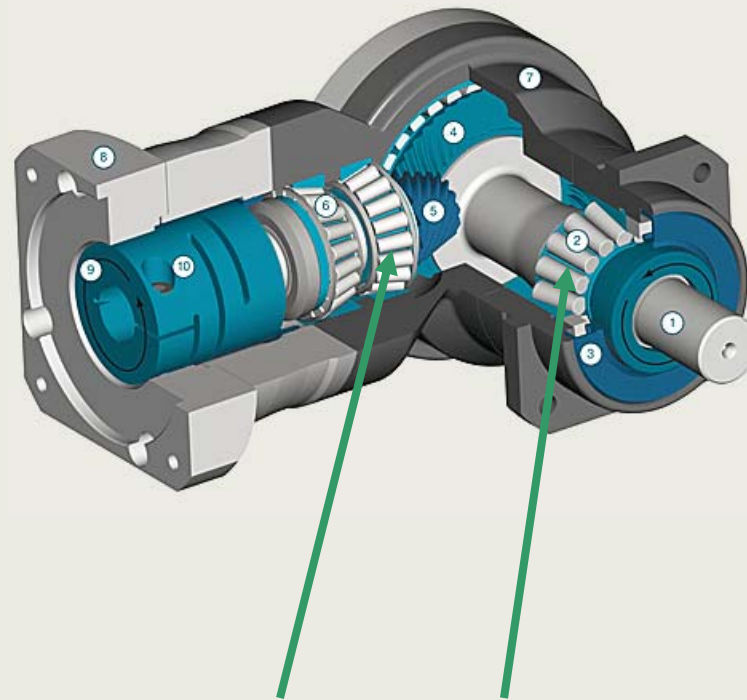


Hypoid right angle stage and Planetary output stage

At ratios:  
16, 20, 25, 32, 40, 64 100

MAKING THE DECISIVE MOVE.

## WPLN main design features



High loadability, paired set of preloaded taper roller bearing,

MAKING THE DECISIVE MOVE.



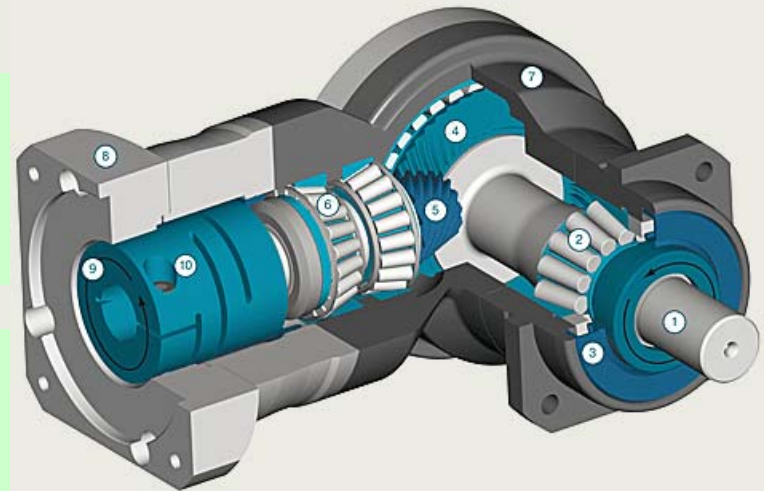
## WPLN main design features



Synthetic Oil lubricated for life  
Oil filling for any mounting position  
Optional oil change possible

Gearbox modules are designed to facilitate extra precise assembly procedure

Magnetic oil plug traps metallic particles



MAKING THE DECISIVE MOVE.

## enhanced performance features

**Smoother run - lower noise greatly reduced transmission error** – due honed precision to more precise assembly and

**Reduced weight** - due to round instead of square housing

**Increased torque rating** - thanks to optimized gears wider face width gears

**Increased mounting flexibility** – input available for standard and extra large motor shafts

**Higher output shaft loadability / increased bearing life** - increased bearing span

**Dimensional compatibility with WPLS and competitors units**



MAKING THE DECISIVE MOVE.

## some data and comparisons

available in 4 sizes (70/90/115/142)

ratios:

4, 5, 8, 10 single stage hypoid

16, 20, 25, 32, 40, 64, 100 – hypoid + planetary

- up to 15% lower weight than PLS
- 30% lower transmission error
- higher input speeds
- accepts larger motor shafts
- easier motor mounting
- increased value (price / performance ratio)



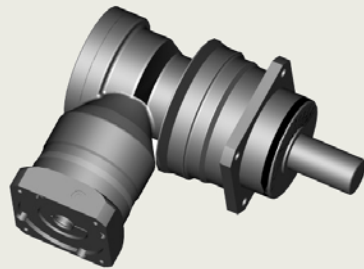
MAKING THE DECISIVE MOVE.



## some options



1 stage hypoid  
long piloted output-flange



2 stage hypoid + planetary  
Long piloted output-flange



1 stage hypoid  
OP14 Neugart style  
output-flange



2 stage hypoid + planetary  
OP14 Neugart style output-  
flange

- Outputsaft smooth-standard
- Keyed output shaft OP7-Option
- Custom output shaft OP8 –Option
- Long Piloted output flange
- Neugart calssic, PLS style output

Following WPLS Option are not (or not yet ) available:

OP3- housing moun

OP4- Foot mounting

OP10-NIEC