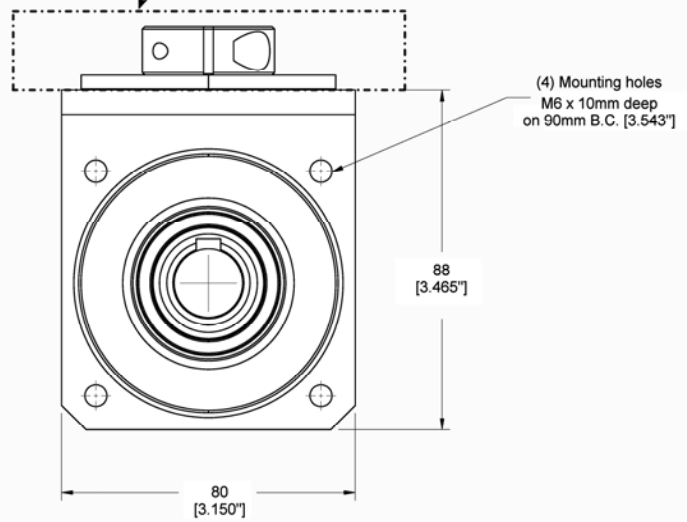


REVISIONS				
ZONE	REV	DESCRIPTION	DATE	APPROVED

Motor Matching adapter depends on:
 Motor shaft length, pilot & B.C. diameter
 Motor bolt hole size (B5 / B14 mount)
 Maximum motor shaft diameter = 19mm



	DRAWN	GA	DATE	NEUGART USA LP			
	CHECKED						WGE - Universal interface
		QA		<> WGE 80 <>			
		MFG		SIZE	FSCM NO.	DWG NO.	REV
		APPROVED		B		03-05-001-WGE 80	
			SCALE			SHEET	