



**IEC B14 • NEMA C**  
**2-PIECE MOTOR ADAPTER MOUNTING INSTRUCTIONS**  
 FOR ALL RIGHT-ANGLE GEARBOXES <sup>(1)</sup> [AND]  
 “S” & “V” SERIES INLINE GEARBOXES W / UNIVERSAL INPUT FLANGE  
 [ MOTOR mounting holes are *THREADED* ]

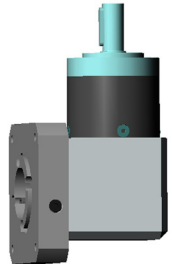
www.neugartusa.com  
 sales@neugartusa.com  
 (Pub. 2)


**1. BEFORE STARTING !**  
 IT IS IMPERATIVE THAT RUST INHIBITING PRESERVATIVES ON MOTOR SHAFT, GEARBOX INPUT BORE, AND BUSHING (I.D. & O.D.) BE THOROUGHLY REMOVED WITH A SOLVENT THAT LEAVES NO OILY RESIDUE.

**NOTE:**

<sup>(1)</sup> One exception is the WPLE 40 / WGE 40 series.  
 Example shown is the WPLE series gearbox.

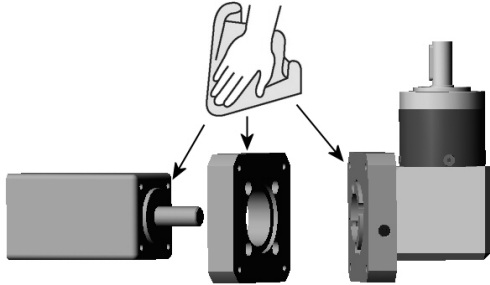
**2. BE SURE:**

Correct gearbox? 

Correct motor? 

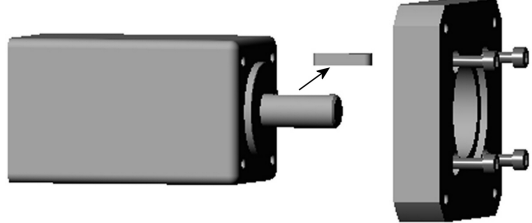
For 2-pc. B14 mount, GEARBOX is normally shipped with one adapter already attached.

**3.**



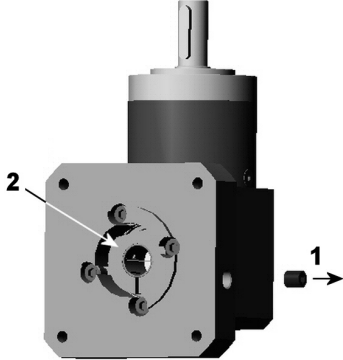
Clean all mating surfaces. File nicks, dents, etc.

**4.**



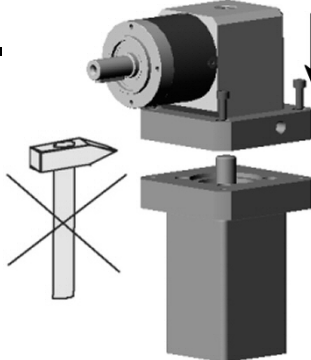
If the motor has a key, remove it.  
 Mount 2nd adapter to motor - tighten bolts diagonally.

**5.**



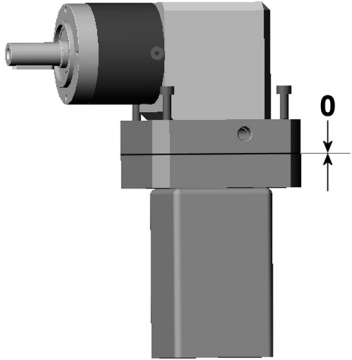
1 - Remove access hole screw.  
 2 - Rotate clamping ring to align bolt head with access hole.  
 With hex wrench, reach through access hole and loosen clamping ring bolt.  
 Insert bushing (if required) into GEARBOX input.

**6.**



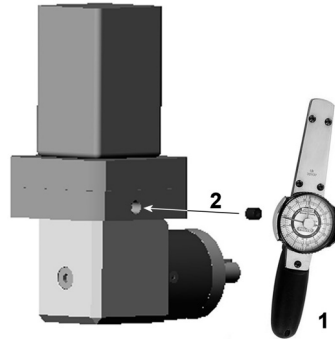
Motor mounting best in vertical position.  
 Fit motor shaft into gearbox input.  
 TIP: Leave hex wrench engaged in clamping ring bolt socket to assure alignment w / access hole while mounting motor to gearbox.

**7.**



Be sure mating surfaces contact with “0” clearance.  
 Tighten screws diagonally.

**8.**



1 Use torque wrench to tighten clamping ring bolt - see table for torque specs.  
 2 Replace access hole screw - lightly hand tighten only.

GEARBOX ►	WPLE 40 WGE 40	WPLE 60; 60/70 • WGE 60 WPLFE 64 • WPLS/V 70 • PLS/V 70	WPLE 80; 80/90 • WGE 80 • WPLFE 90 WPLS 90/V • PLS/V 90	WPLE 120 • WPLE 120/115 WPLFE 110 • WPLS/V 115	WPLS/V 142 WPLS 190	WPLS 190
Input diameter mm	8	14	19	24	35	48
Torque Nm (lb. In.)	2 (18)	4.5 (40)	9.5 (84)	16.5 (146)	40 (354)	75 (684)
Hex wrench size	2.5mm	3mm	4mm	5mm	6mm	8mm