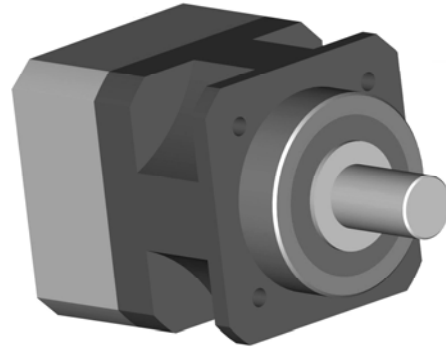




# PLS / PLV

## High Precision Planetary Servo Gearhead

Main Configurations, Torque Rating



**PLS 70, 90, 115, 142, 190**  
 With the classic Neugart pilot arrangement ,  
 a square integrated output flange with  
 through holes, and a smooth shaft (key or  
 spline optional), the PLS can mount to any  
 servo motor via PCS– patented precision  
 clamping system

**PLV 70, 90, 115, 142**  
 With a square integrated output flange with  
 through holes, a industry standard long cen-  
 tering pilot, and a smooth shaft (key op-  
 tional), the PLV can mount to any servo mo-  
 tor via PCS– patented precision clamping  
 system

$T_N$ Nominal-Rated Torque <sup>(1)</sup> ◇ Torque permissible 30000 output shaft rotations <sup>(2)</sup>					<i>Nm (lbin)</i>	Ratio	<sup>(3)</sup> Stages
PLS 70 PLV 70	PLS 90 PLV 90	PLS 115 PLV 115	PLS 142 PLV 142	PLS 190			
30 (266) ◇ 48 (425)	75 (664) ◇ 120 (1062)	150 (1327) ◇ 240 (2124)	400 (3540) ◇ 640 (5664)	1000 (8850) ◇ 1600 (14160)	3	1	
40 (354) ◇ 64 (566)	100 (885) ◇ 160 (1416)	200 (1770) ◇ 320 (2832)	560 (4956) ◇ 896 (7930)	1200 (10620) ◇ 1920 (16992)	4	1	
50 (443) ◇ 80 (708)	110 (974) ◇ 176 (1558)	210 (1859) ◇ 336 (2974)	700 (6195) ◇ 1120 (9912)	1600 (14160) ◇ 2560 (22656)	5	1	
37(327) ◇ 59 (522)	62 (549) ◇ 99 (876)	148 (1310) ◇ 237 (2098)	450 (3983) ◇ 720 (6372)	1000 (8850) ◇ 1600 (14160)	8	1	
27 (239) ◇ 43 (381)	45 (398) ◇ 72 (637)	125 (1106) ◇ 200 (1770)	305 (2699) ◇ 488 (4319)	630 (5576) ◇ 1008 (8921)	10	1	
77 (681) ◇ 123 (1089)	120 (1062) ◇ 192 (1699)	260 (2301) ◇ 416 (3682)	910 (8054) ◇ 1456 (12886)	1800 (15930) ◇ 2880 (25488)	12	2	
68 (602) ◇ 109 (965)	110 (974) ◇ 192 (1699)	210 (1859) ◇ 336 (2974)	780 (6903) ◇ 1248 (11045)	1800 (15930) ◇ 2880 (25488)	15	2	
77 (681) ◇ 123 (1089)	120 (1062) ◇ 192 (1699)	260 (2301) ◇ 416 (3682)	910 (8054) ◇ 1456 (12886)	1800 (15930) ◇ 2880 (25488)	16	2	
77 (681) ◇ 123 (1089)	110 (974) ◇ 176 (1558)	260 (2301) ◇ 416 (3682)	910 (8054) ◇ 1456 (12886)	1800 (15930) ◇ 2880 (25488)	20	2	
68 (602) ◇ 109 (965)	110 (974) ◇ 176 (1558)	210 (1859) ◇ 336 (2974)	780 (6903) ◇ 1248 (11045)	1800 (15930) ◇ 2880 (25488)	25	2	
77 (681) ◇ 123 (1089)	120 (1062) ◇ 192 (1699)	260 (2301) ◇ 416 (3682)	910 (8054) ◇ 1456 (12886)	1800 (15930) ◇ 2880 (25488)	32	2	
68 (602) ◇ 109 (965)	110 (974) ◇ 176 (1558)	210 (1859) ◇ 336 (2974)	780 (6903) ◇ 1248 (11045)	800 (15930) ◇ 2880 (25488)	40	2	
37 (327) ◇ 59 (522)	62 (549) ◇ 99 (876)	148 (1310) ◇ 237 (2098)	450 (3983) ◇ 720 (6372)	1000 (8850) ◇ 1600 (14160)	64	2	
27 (239) ◇ 43 (381)	45 (398) ◇ 72 (637)	125 (1106) ◇ 200 (1770)	305 (2699) ◇ 488 (4319)	630 (5576) ◇ 1008 (8921)	100	2	

(1) Continuous duty rated torque, at uniform load, 20000 hrs L10 design life, at 100 rpm output shaft speed

(2) Maximum torque allowable for 30000 output shaft rotations

(3) Number of planetary reduction stages.