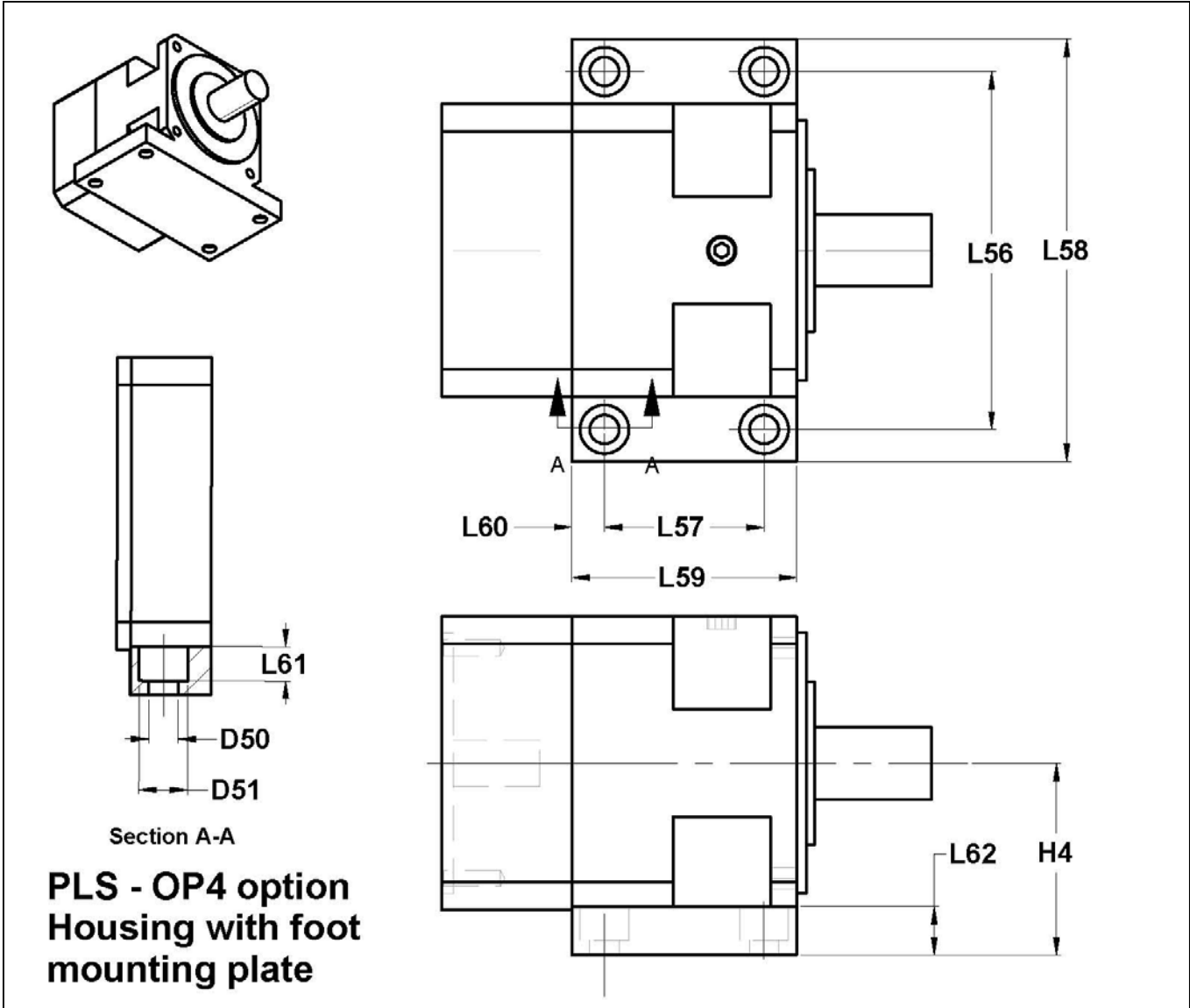




PLS

High Precision Planetary Servo Gearhead

Foot Mounting Plate (OP4 option)



<i>DIMENSIONS</i> mm (in.)	<i>Tol./#</i>	<i>PLS 70</i>	<i>PLS 90</i>	<i>PLS 115</i>	<i>PLS 142</i>	<i>PLS 190</i>
D50 Bore diameter		6.6 (0.259)	9 (0.354)	9 (0.354)	9 (0.354)	11 (0.433)
D51 Counter-bore diameter		11 (0.433)	15 (0.591)	15 (0.591)	15 (0.591)	18 (0.709)
L56 Bolt hole spacing 1		84 (3.307)	110 (4.331)	135 (5.118)	165 (6.496)	216 (8.504)
L57 Bolt hole spacing 2	1 stage	46.5 (1.831)	49 (1.929)	57.5 (2.264)	82 (3.228)	97.5 (3.839)
	2 stage	70 (2.756)	77.5 (3.051)	91.5 (3.602)	123 (4.843)	145 (5.709)
L58 Foot plate width		100 (3.937)	130 (5.118)	155 (6.102)	185 (7.283)	240 (9.449)
L59 Foot plate length	1 stage	62.5 (2.461)	69 (2.717)	77.5 (3.051)	102 (4.016)	121.5 (4.783)
	2 stage	86 (3.386)	97.5 (3.839)	111 (4.370)	143 (5.630)	169 (6.654)
L60 Bolt hole center from plate edge		8 (0.315)	10 (0.394)	10 (0.394)	10 (0.394)	12 (0.472)
L61 Counter-bore depth		6.8 (0.268)	10.5 (0.413)	10.5 (0.413)	10.5 (0.413)	11 (0.433)
L62 Plate thickness		12 (0.472)	15 (0.591)	15 (0.591)	15 (0.591)	18 (0.709)
H4 Center height		46 (1.811)	59 (2.323)	71.5 (2.815)	84.5 (3.327)	111 (4.370)