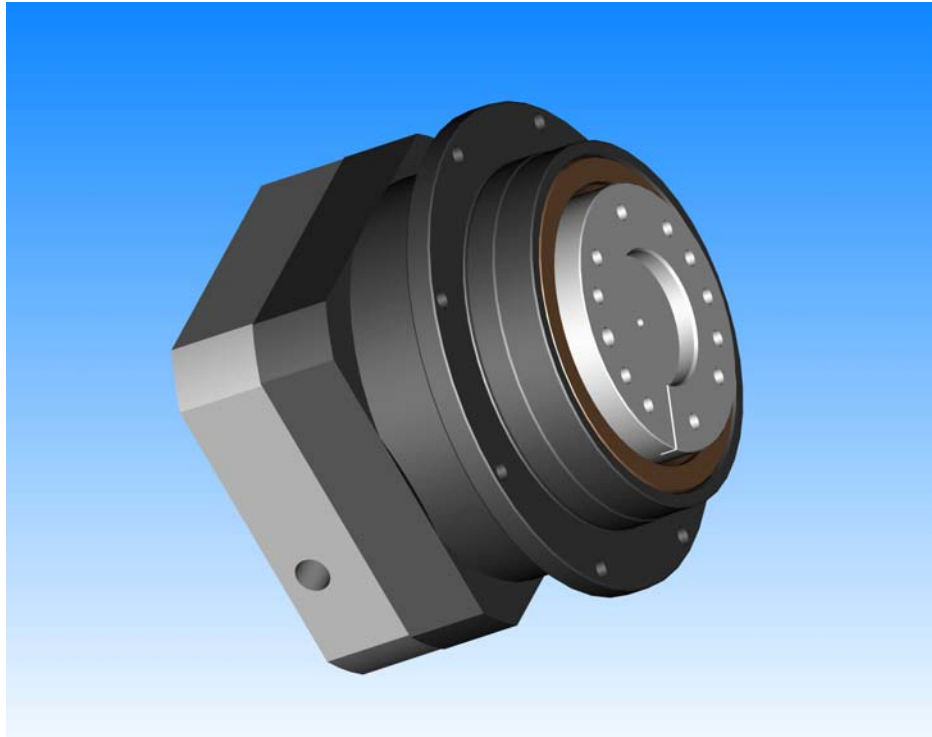


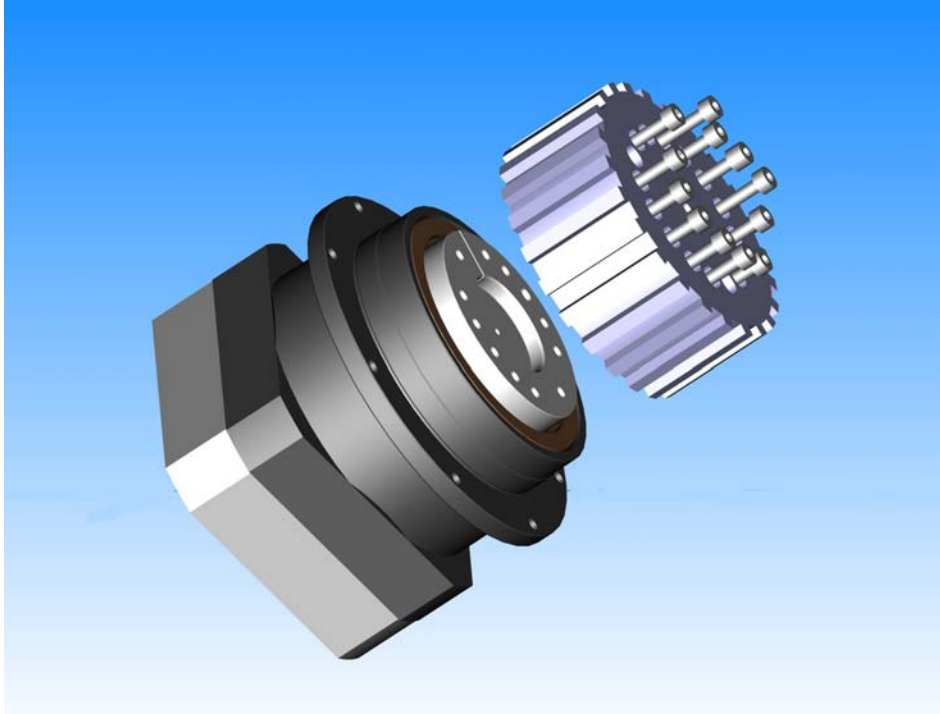
Neugart PLF-HP

**High Performance High Precision Planetary Servo Gearhead
with the state of the art sensible Rotating Flange
for most versatile,
precise, backlash free high stiffness mounting**

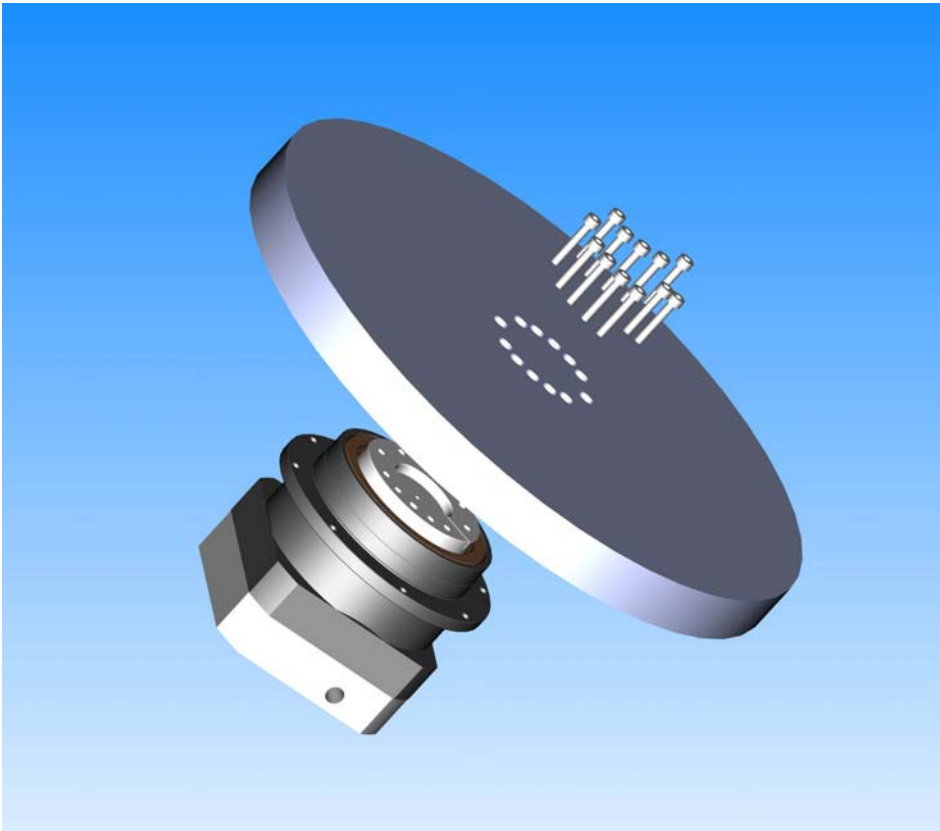


Mounting interface according ISO 9409

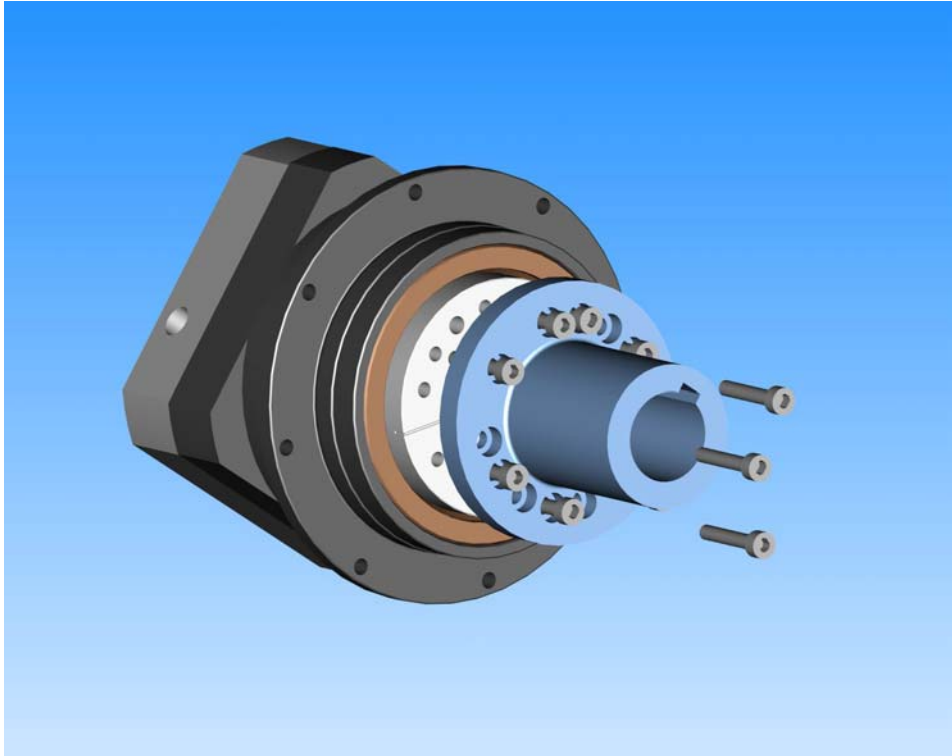
Mechanical Interfaces Standard for manipulating Industrial Robots in Automation



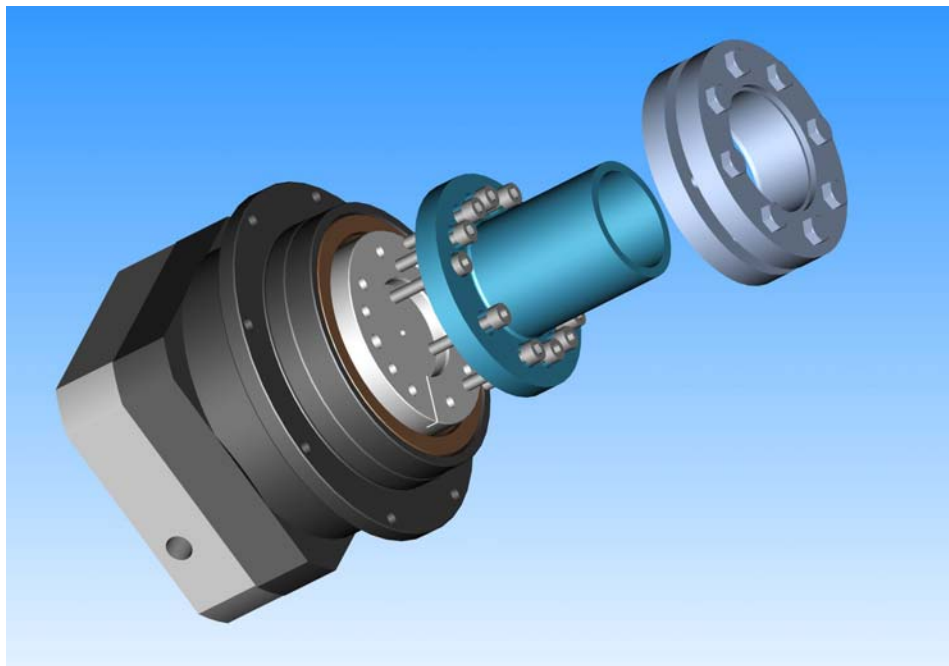
Direct mounting of pinions, pulleys etc.



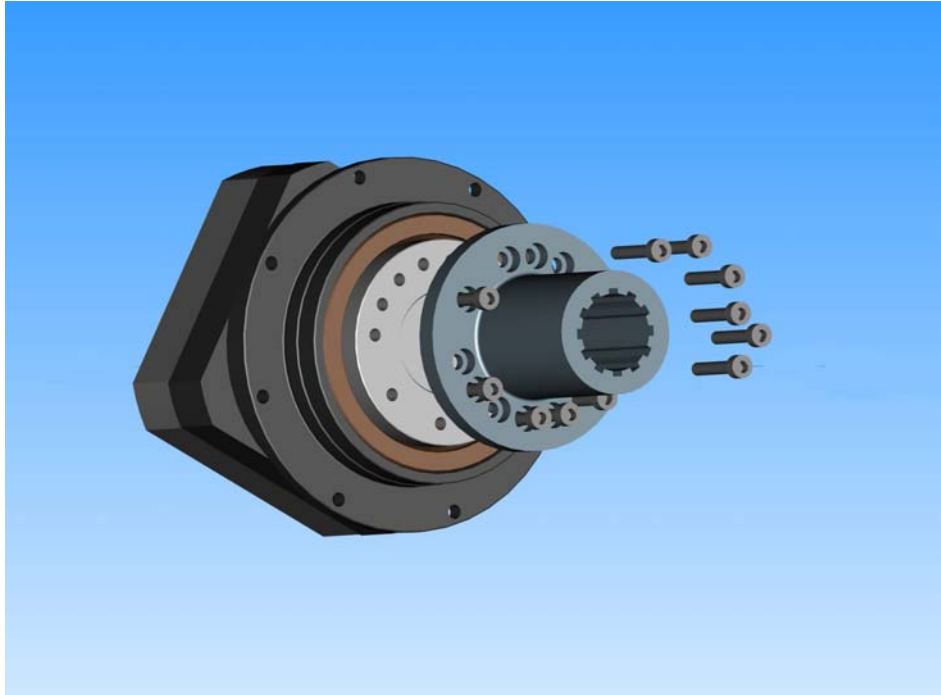
Direct mounting of a turn table



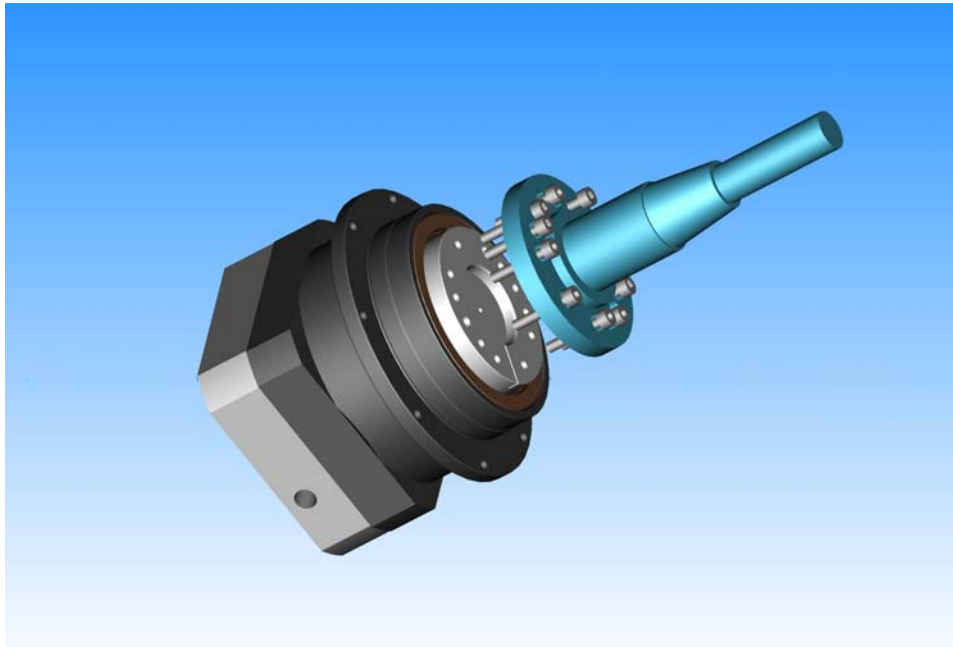
Keyed blind hollow shaft



Hollow shaft with shrink disc



Splined hollow shaft



Special custom shaft

.....mount anything your can imagine....

What does YOUR application requires ?
Call us [www.neugartusa .com](http://www.neugartusa.com)