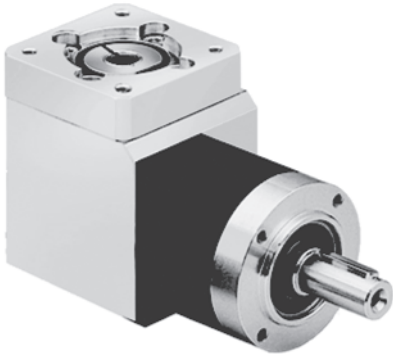


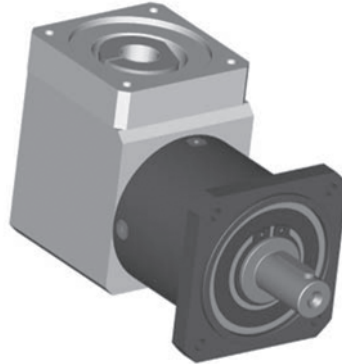


WPLE

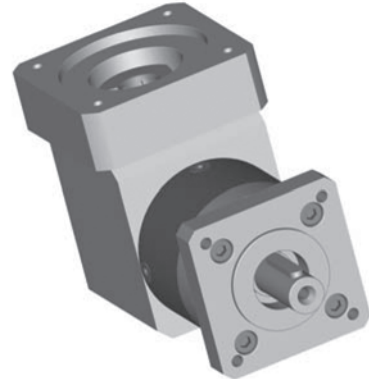
Right-Angle Bevel-Planetary Servo Gearhead
Main configurations, Torque Rating



WPLE 40, 60, 80, 120
round output flange with drilled and tapped holes (B14 C-face); keyed output shaft; motor mount via PCS clamping arrangement



WPLE 60/70, 80/90, 120/115
Integrated “B5” square output flange; increased output shaft-bearing load ability, keyed output shaft; flexible motor mount



WPLE 40, 60, 80, 120,
with bolt-on NEMA output flange; keyed output shaft; flexible motor mount via PCS clamping arrangement

| Nominal-Rated Torque ⁽¹⁾ ◇ Torque up to 30000 output shaft rotations. ⁽²⁾ | | | | Nm (lbin) | Ratio | (3) Stages |
|---|------------------------------------|--|--|-----------|-------|---------------|
| WPLE 40 | WPLE 60 WPLE 60/70 | WPLE 80 WPLE 80/90 | WPLE 120 WPLE 120/115 | | | |
| 4.5 (40) ◇ 7 (150) | 14 (124) ◇ 22 (195) | 40 (354) ◇ 64 (566) | 80 (708) ◇ 128 (1132) | | 3 | 1 |
| 6 (53) ◇ 10 (88) | 19 (168) ◇ 30 (265) | 53 (469) ◇ 85 (752) | 105 (929) ◇ 168 (1487) | | 4 | 1 |
| 7.5 (66) ◇ 12 (106) | 24 (212) ◇ 38 (336) | 67 (592) ◇ 107 (946) | 130(1150) ◇ 208(1840) | | 5 | 1 |
| 6 (53) ◇ 10 (88) | 18 (160) ◇ 29 (256) | 50 (442) ◇ 80 (708) | 120 (1062) ◇ 192 (1699) | | 8 | 1 |
| 16.5 (146) ◇ 26 (230) ⁽⁴⁾ | 44 (389) ◇ 70 (619) ⁽⁴⁾ | 130 (1150) ◇ 208 (1840) ⁽⁴⁾ | 210 (1858) ◇ 336 (2973) ⁽⁴⁾ | | 9 | 2 |
| 20 (177) ◇ 32 (283) ⁽⁴⁾ | 44 (389) ◇ 70 (619) | 120 (1062) ◇ 192 (1699) ⁽⁴⁾ | 260 (2301) ◇ 416 (3681) ⁽⁴⁾ | | 12 | 2 |
| 18 (159) ◇ 29 (256) ⁽⁴⁾ | 44 (389) ◇ 70 (619) | 110 (973) ◇ 176 (1558) | 230 (2035) ◇ 368 (3257) | | 15 | 2 |
| 20 (177) ◇ 32 (283) ⁽⁴⁾ | 44 (389) ◇ 70 (619) | 120 (1062) ◇ 192 (1699) | 260 (2301) ◇ 416 (3681) | | 16 | 2 |
| 20 (177) ◇ 32 (283) ⁽⁴⁾ | 44 (389) ◇ 70 (619) | 120 (1062) ◇ 192 (1699) | 260 (2301) ◇ 416 (3681) | | 20 | 2 |
| 18 (159) ◇ 29 (256) | 40 (354) ◇ 64 (566) | 110 (973) ◇ 176 (1558) | 230 (2035) ◇ 368 (3257) | | 25 | 2 |
| 20 (177) ◇ 32 (283) | 44 (389) ◇ 70 (619) | 120 (1062) ◇ 192 (1699) | 260 (2301) ◇ 416 (3681) | | 32 | 2 |
| 18 (159) ◇ 29 (256) | 40 (354) ◇ 64 (566) | 110 (973) ◇ 176 (1558) | 230 (2035) ◇ 368 (3257) | | 40 | 2 |
| 7.5 (66) ◇ 12 (106) | 18 (159) ◇ 29 (256) | 50 (442) ◇ 80 (708) | 120 (1062) ◇ 192 (1699) | | 64 | 2 |
| 20 (177) ◇ 32 (283) | 44 (389) ◇ 70 (619) | 110 (973) ◇ 176 (1558) | 260 (2301) ◇ 416 (3681) | | 60 | 3 |
| 20 (177) ◇ 32 (283) | 44 (389) ◇ 70 (619) | 120 (1062) ◇ 192 (1699) | 260 (2301) ◇ 416 (3681) | | 80 | 3 |
| 20 (177) ◇ 32 (283) | 44 (389) ◇ 70 (619) | 120 (1062) ◇ 192 (1699) | 260 (2301) ◇ 416 (3681) | | 100 | 3 |
| 18 (159) ◇ 29 (256) | 44 (389) ◇ 70 (619) | 110 (973) ◇ 176 (1558) | 230 (2035) ◇ 368 (3257) | | 120 | 3 |
| 20 (177) ◇ 32 (283) | 44 (389) ◇ 70 (619) | 120 (1062) ◇ 192 (1699) | 260 (2301) ◇ 416 (3681) | | 160 | 3 |
| 18 (159) ◇ 29 (256) | 40 (354) ◇ 64 (566) | 110 (973) ◇ 176 (1558) | 230 (2035) ◇ 368 (3257) | | 200 | 3 |
| 20 (177) ◇ 32 (283) | 44 (389) ◇ 70 (619) | 120 (1062) ◇ 192 (1699) | 260 (2301) ◇ 416 (3681) | | 256 | 3 |
| 18 (159) ◇ 29 (256) | 40 (354) ◇ 64 (566) | 110 (973) ◇ 176 (1558) | 230 (1035) ◇ 368 (3257) | | 320 | 3 |
| 7.5 (66) ◇ 12 (106) | 18 (159) ◇ 29 (256) | 50 (442) ◇ 80 (708) | 120 (1062) ◇ 192 (1699) | | 512 | 3 |

(1) Continuous duty-rated torque, at uniform load, 30000 hrs L10 design life, at 100 rpm output shaft speed

(2) Maximum torque allowable for 30000 for output shaft rotations

(3) Number of planetary reduction stages

(4) L10 Life 10000 hrs at continuous duty (rated nominal torque)